



Temperature Sensors for various fluids

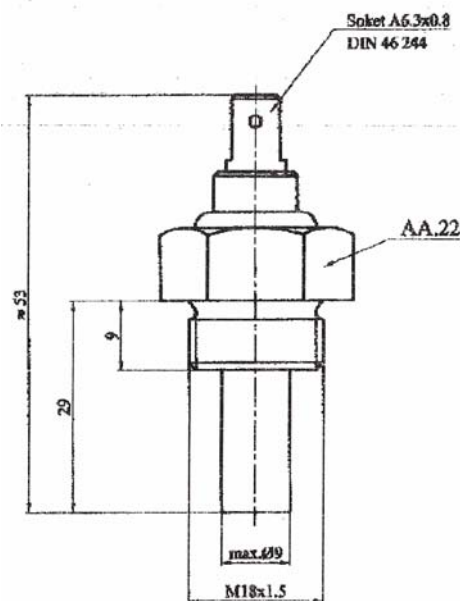
Picture



VDO Curve Table

Temp °C	R (Ω)	±Tol (Ω)	±To (%)
-5.0	2249.44	13.37	300.80
0.0	1743.15	13.00	226.69
20.0	676.95	12.02	81.36
40.0	291.46	11.25	32.79
60.0	134.03	10.04	13.46
80.0	70.12	9.21	6.46
85.0	59.73	8.91	5.32
90.0	51.21	8.48	4.34
95.0	44.32	8.07	3.58
100.0	38.47	7.74	2.98
105.0	33.40	8.18	2.73
110.0	29.12	8.59	2.50
115.0	25.53	9.22	2.35
120.0	22.44	9.89	2.22
130.0	17.44	11.16	1.95
140	13.75	12.49	1.72
150	10.96	13.86	1.52

Dimensions



Technical Data

Version	Thermistor
Rated Voltage	6V to 24V
Temperature response time	3 minutes minimum after switching on operating current

Pressure Sensors

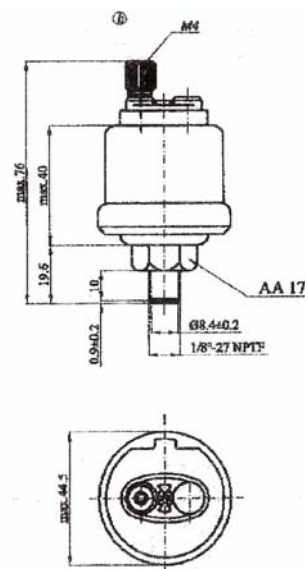
Picture



VDO Curve Table

Press bar	-R (Ω)	R (Ω)	+R (Ω)
0.0	5	10	13
0.5	16	21	25
1.0	27	31	35
1.5	38	42	46
2.0	48	52	56
4.0	87	90	93
6.0	119	124	129
8.5	146	163	179
10.0	154	184	214

Dimensions



Technical Data

Rated Voltage	6V to 24V
Overpressure safety	30 bar (short period for 2 seconds only)
Operating temperature	-25 to 100°C (120 °C for 1 hour max.)